



A new gorgoderid species of the urinary bladder of *Rana zweifeli* from Michoacán, Mexico

Una nueva especie de gorgodérido de la vejiga urinaria de *Rana zweifeli* de Michoacán, México

Rosario Mata-López

Departamento de Zoología, Instituto de Biología, Universidad Nacional Autónoma de México. Apdo. Postal 70-153. C.P. 04510, México, D. F. México.
Correspondent: rmata@ibiologia.unam.mx

Abstract. *Gorgoderina tarascae* n. sp. is described from the urinary bladder of *Rana zweifeli*, from Cutzaróndiro, Michoacán, Mexico. *Gorgoderina tarascae* differs from the other species of the genus by possessing the following combination of characters: follicular vitelline glands, arranged in two clusters of 4-7 follicles dorsal to the ovary, compact and smooth reproductive organs situated far from each other and from the acetabulum, suckers close to each other, and a slender, spindle shaped body with a flexed position due to the situation of the acetabulum.

Key words: *Gorgoderina tarascae* n. sp., Digenea, Amphibia, Cutzaróndiro.

Resumen. *Gorgoderina tarascae* n. sp. se describe como parásita de la vejiga urinaria de *Rana zweifeli* de Cutzaróndiro, Michoacán, México. *Gorgoderina tarascae* difiere del resto de las especies del género por la siguiente combinación de características: posee glándulas vitelógenas arregladas en dos racimos de 4-7 folículos situados dorsalmente al ovario, órganos reproductivos compactos y de bordes lisos, muy separados entre sí y con respecto del acetábulo, ventosas cercanas una de la otra y cuerpo delgado, en forma de huso y flexionado debido a la posición del acetábulo.

Palabras clave: *Gorgoderina tarascae* n. sp., Digenea, Amphibia, Cutzaróndiro.

Introduction

The genus *Gorgoderina* Looss, 1902, currently comprising 53 species, has a worldwide distribution (Mata-López et al., 2005; Mata-López and León-Règagnon, 2005). Six species of this genus have been reported in Mexico (Table 1). *Rana zweifeli* Hillis, Frost and Webb is a native Mexican amphibian that inhabits tropical seasonal forest at low elevations, such as the Pacific coast of Mexico, the Balsas River basin and central depression of Chiapas. In addition, it has also been collected from highland localities of the Transverse Volcanic Axis, the Sierra Madre del Sur and the highlands of northern Oaxaca by Flores-Villela (1993). It is highly associated with water such as streams, rivers and permanent and temporary ponds where it also breeds, and is an abundant species throughout most of its range (InfoNatura, 2005).

As part of an inventory of amphibian helminths in Mexico, a new gorgoderid species was collected from

the urinary bladder of *Rana zweifeli* in Cutzaróndiro, Michoacán. The goal of this paper is to describe the new species based on morphological data.

Materials and Methods

Four specimens of *Rana zweifeli* were collected in September 2003 in Cutzaróndiro, Michoacán, Mexico and examined for helminth parasites. Worms were removed from hosts and placed in 0.6% saline solution, whereas others were fixed in hot 4% buffered formaldehyde and preserved in 70% ethanol for light microscopy. Specimens for light microscopy were stained in Mayer's paracarmine, dehydrated in a graded series of ethanol, cleared in methyl salicylate, and whole mounted in Canada balsam. Three of the collected specimens were saved for scanning electron microscopy (SEM). They were fixed as described above, dehydrated in a graded series of ethanol, critical point dried, sputter coated with a gold-palladium mixture, and examined using a Hitachi S2460N scanning electron

Table 1. Records of *Gorgoderina* Looss, 1902 in Mexico.

Species	Host	Locality	Author
<i>G. attenuata</i>	<i>Rana montezumae</i>	Mexico City	Sokoloff and Caballero, 1932
(Stafford, 1902)	<i>R. dunni</i>	Zacapu, Michoacán	Lamothe et al., 1997
Stafford, 1905	<i>R. vaillanti</i>	Laguna Escondida, Veracruz	Pérez-Ponce de León et al.,
	<i>R. megapoda</i>	Cointzio, Michoacán	2000
	<i>R. neovolcanica</i>	Lerma, Mexico State	Goldberg et al., 2002
	<i>Ambystoma tigrinum</i>	Sonora	Goldberg and Bursey, 2002
	<i>A. lermaensis</i>		Mata-López et al., 2005
	<i>A. andersoni</i>		
	<i>Leptodactylus melanonotus</i>		
<i>G. parvicava</i>	<i>R. berlandieri</i>	Los Tuxtlas, Veracruz	Lamothe et al., 1997
Travassos, 1922	<i>R. vaillanti</i>		Guillén-Hernández et al., 2000
			Paredes-Calderón et al., 2004
<i>G. megalorchis</i>	<i>Bufo marinus</i>	Tuxtepec, Oaxaca	Bravo, 1948
Bravo, 1948	<i>Hyla miotympanum</i>	Villa Santiago, Nuevo León	Lamothe et al., 1997
<i>G. rhyacosiredonis</i>	<i>A. altamirani</i>	Mexico City	Bravo, 1943
(Bravo, 1943)			
Prudhoe and Bray,			
1982			
<i>G. skarvilovitschi</i>	<i>R. montezumae</i>	Unspecified locality in	Pigulevsky, 1953
Pigulevsky, 1953		Central Mexico	
<i>G. festoni</i> Mata-	<i>Gastrophryne usta</i>	Los Tuxtlas, Veracruz;	Mata-López and León-
López and León-	<i>L. melanonotus</i>	Arcelia and San Vicente,	Règagnon, 2005
Règagnon, 2005		Guerrero;	
		Río Armeria tributary,	
		Colima;	
		Paso Canoa, Oaxaca.	

microscope. Measurements are given as ranges with means in parentheses expressed in millimeters. Specimens used for both light and scanning electron microscopy were deposited in the Colección Nacional de Helminthos (CNHE) at the Instituto de Biología of the Universidad Nacional Autónoma de México; accession numbers follow description. The following abbreviations are used: CNHE, Colección Nacional de Helminthos, Instituto de Biología, Universidad Nacional Autónoma de México; CHIOC, Coleção Helminológica do Instituto Oswaldo Cruz,

Fundação Instituto Oswaldo Cruz, Rio de Janeiro, Brazil; HWML, Harold W. Manter Laboratory of Parasitology, Lincoln, Nebraska; NBM, New Brunswick Museum, New Brunswick, Canada; USNPC, United States National Parasite Collection, Beltsville, Maryland, USA; PCDRB: personal collection of Daniel R. Brooks. The following specimens were examined for comparison: *Gorgoderina attenuata*: CNHE: 1178- 1180, 1182, 1446, 1544-1548, 2416, 3401-3405, 3412, 3413, 3793, NBM: 3542, 10 not catalogued, HWML: 740, 17079, 20121-20126, 20888,

20955, 21344, 21949, 24898, 31259, 33206, USNPC: 542-14/18, M1288-16, M1546-17, CHIOC: 10563, CPDRB: 1 specimen; *G. bilobata*: USNPC: M182-14/16 (type), HWLM: 15239; *G. bufonis*: HWML: 21309-21315; *G. carioca*: CHIOC: 22017, 22018a-d; *G. diaster*: NHM: 1980. 11. 12. 7-8 (type), HWLM: 20250, CHIOC: 17426, 25255, 25256, PCDRB: 1 specimen; *G. festoni*: CNHE: 3426 (type), 3427, 5100-5102; *G. megalorchis*: CNHE: 810 (type), 1447; *G. multilobata*: USNPC: 350-12 (type), HWLM: 23427 (paratype), 23428; *G. rochalimai*: CHIOC: 22019a-m, 22020, 22021; *G. simplex*: USNPC: M1288-17, NBM: 784, 788, 789, 790, 2 not catalogued, HWLM: 20112-20120, PCDRB: 1 specimen; *G. translucida*: HWLM: 20111, PCDRB: 1 specimen.

Description.

Gorgoderina tarascae n. sp. (Figs. 1-3)

Description based on 6 specimens, 3 examined using light microscopy and 3 with SEM. Body slender, spindle shaped, anterior end blunt, posterior end pointed; body length (BL) 8.66-9.6 (9.23). Forebody 0.97-1.19 (1.06) long (10.3-12.41% [11.52%] of BL), 0.52 wide at level of cecal bifurcation. Hindbody 7.38-8.41 (7.84) long (81.71-87.59% [84.86%] of BL), 0.88 of maximum width at level of vitelline glands; width at level of acetabulum 0.71 (Fig. 1A). Tegumental smooth. Oral sucker surface with papillae, two pairs of papillae flanking the stylet pit on apical region of body, 1 dorsal (Figs. 2B and 3, SP I) and 1 on the ventral base of stylet pit (Figs. 2B and 3, SP II). Three lateral pairs of papillae between stylet pit and oral sucker (Figs. 2B and 3, SP III-SP V). Penetration gland openings situated around the stylet pit (Fig. 2C). Oral sucker subterminal, spherical, 0.37-0.44 (0.40) long, 0.42 wide; oral opening ventral (Figs. 1A and 2A); 10 papillae surrounding oral opening, fourth and seventh double (Figs. 2A and 3, OS I-X). One additional pair of papillae on anterior lip and 1 pair on lateral borders of the oral opening (Figs. 2A and 3, OS XI, OS XII). Pharynx absent. Esophagus thick walled, 0.24-0.28 (0.26) long (2.59-2.97% [2.84%] of BL), 0.04-0.06 (0.05) wide, esophageal glands present. Intestinal bifurcation at 0.54-0.65 (0.61) (6.33-6.97% [6.57%] of BL) from anterior end of body. Ceca simple, smooth walled; right ceca ending at 0.31-0.51 (0.44) (3.57-5.37% [4.74%] of BL) and left ceca ending at 0.12-0.86 (0.58) (1.45-8.98% [6.14%] of BL) from posterior end of body. Ventral sucker 0.7-0.72 (0.72) long, 0.7 wide, located at 0.53-0.78 (0.67) (5.66-8.13% [7.23%] of BL) from oral sucker. Six papillae on external margin of acetabulum (Figs. 2F and 3, VS I-VI). Sucker ratio 1: 1.65-1.96 (1.79).

Testes 2, oval, compact, with smooth borders, situated

in tandem, intercecal at the end of the second third of the body; anterior testis larger than posterior testis, dorsally overlapping right cecum, at 3.15-3.79 (3.43) (33.38-39.51% [37.11%] of BL) from posterior margin of ventral sucker; 0.44-0.57 (0.50) long (4.64-5.99% [5.44%] of BL), 0.33 wide; posterior testis medial at 4.38-4.94 (4.59) (46.44-51.5% [49.79%] of BL) from posterior margin of ventral sucker; 0.42-0.6 (0.53) long (4.50-6.33% [5.70%] of BL), 0.22 wide. Sperm duct junction 1.49-2.16 (1.90) from posterior border of acetabulum. Seminal vesicle oval, 0.15-0.34 (0.27) long (1.62-3.92% [2.93%] of BL), 0.11 wide, partially overlapping anterior region of acetabulum (Fig. 1D). Distal end of seminal vesicle surrounded by prostatic cells, opening into genital atrium; ejaculatory duct 0.18-0.21 (0.20) long, 0.11 wide. Genital pore medial anterior to ventral sucker, at 0.72-0.83 (0.77) (7.98-8.38% [8.35%] of BL) from anterior end of body.

Ovary oval, compact, with smooth edges, on midline of the body, overlapping vitellaria ventrally, at 2.16-2.87 (2.49) (22.93-29.96% [27.02%] of BL) from posterior end of acetabulum, 0.26-0.33 (0.29) long (2.93-3.56% [3.16%] of BL), 0.25 wide. Vitellarium in two clusters of 4-7 follicles, at 1.89-2.57 (2.18) (20.03-26.82% [23.58%] of BL) from posterior margin of acetabulum on middle line of body; right vitelline cluster with 4-7 follicles; left vitelline cluster with 4 follicles. Mehlis's gland at level of vitelline glands; Laurer's canal opening dorsally at level of ovary. Uterine loops filling postacetabular region and overlapping dorsally and ventrally with testes, partially overlapping ovary and forming intercecal loops between vitelline glands and acetabulum, opening to genital atrium. Eggs thin-shelled, embryonated, 0.025-0.029 (0.027) x 0.017-0.022 (0.019). Bifurcation of excretory vesicle at 3.26-3.83 (3.64) (37.65-40.64% [39.41%] of BL) from posterior end of body. Excretory pore terminal (Fig. 2H).

Taxonomic summary

Type-host: *Rana zweifeli* Hillis, Frost and Webb, 1984 (Ranidae).

Site of infection: Urinary bladder.

Type-locality: Cutzaróndiro, Michoacán, Mexico (19° 10' 59" N, 101° 30' 31" W).

Prevalence and intensity: 17 digenean specimens in 4 examined hosts.

Type-specimens: Holotype: CNHE 5334; paratypes: CNHE 5335.

Etymology: The specific epithet refers to the Tarasca people of Michoacán and neighboring regions of Mexico.

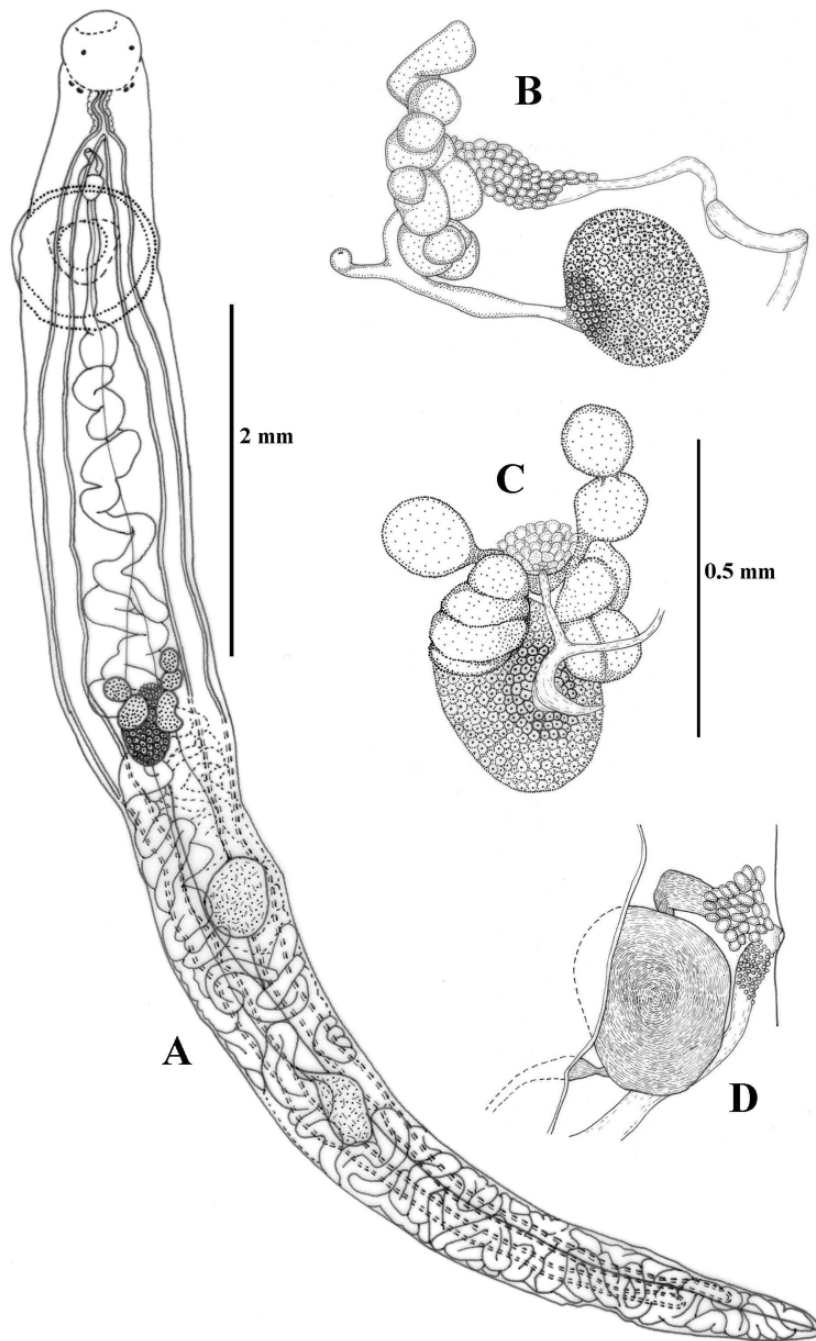


Figure 1. *Gorgoderina tarascae* n. sp. **A**, whole specimen, dorsal view. **B-C**, vitelline glands, ovary and Mehlis' gland, lateral and dorsal view, respectively. **D**, seminal vesicle, ejaculatory duct, metraterm and genital pore, lateral view.

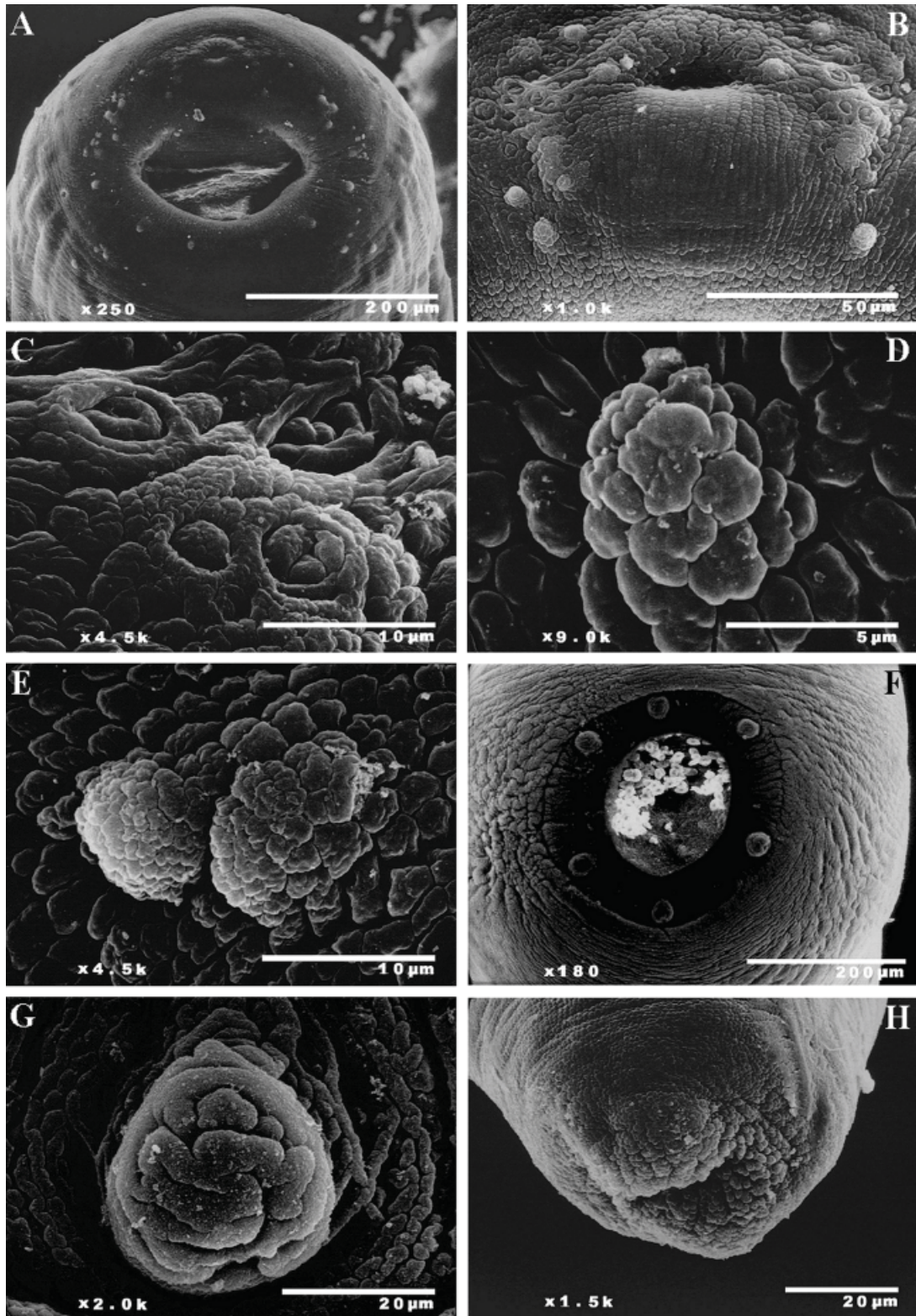


Figure 2. SEM photomicrographs of *Gorgoderina tarascae* n. sp. **A.** Oral sucker. **B.** Stylet pit. **C.** Penetration gland openings. **D.** Single papilla on oral sucker surface. **E.** Double papilla on oral sucker surface. **F.** Ventral sucker. **G.** Papilla on external border of ventral sucker. **H.** Excretory pore.

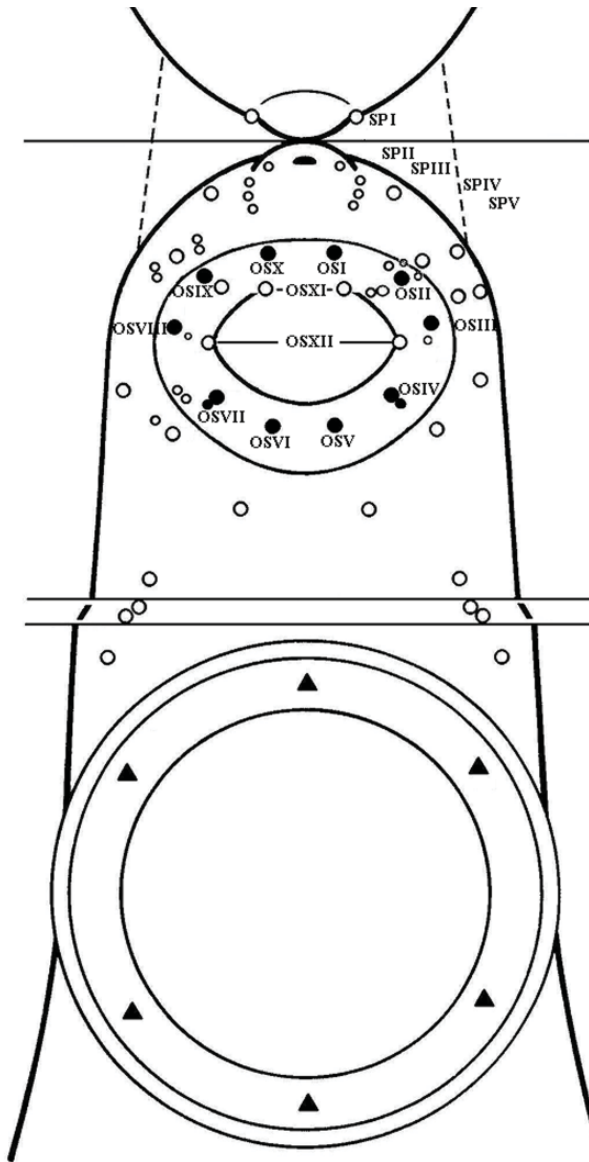


Figure 3. Papillar pattern on the ventral surface of *Gorgoderina tarascae* n. sp. (modified from Bakke and Hoole, 1988).

Remarks

The combination of characters distinguishing *Gorgoderina tarascae* n. sp. from the other *Gorgoderina* species is: vitelline glands arranged in two clusters of 4-7 follicles dorsal to the ovary and far posterior to the acetabulum; compact and smooth gonads situated far from each other, suckers close to each other, and the shape and size of the body.

Gorgoderina tarascae n. sp. most closely resembles the following species in possessing vitelline glands arranged in

clusters of follicles (Mata López et al., 2005): *G. carioca* Fernandes, 1958 (right cluster= 7, left cluster= 12-13), *G. diaster* Lutz, 1926 (right cluster= 12, left cluster= 7-8), *G. multilobata* Ingles and Langstone, 1933 (right cluster= 7-9, left cluster= 7-9), *G. pigulevskyi* Fernandes, 1958 (right cluster= 5-6, left cluster= 5-6), *G. rochalimai* (right cluster= 7-9, left cluster= 12), and *G. skjrabinii* Pigulevsky, 1953 (right cluster= 3, left cluster= 3). The species described here closely resembles *G. pigulevskyi* and *G. skjrabinii* in number of follicles. However, these species differ from the new species by having a smaller acetabulum and vitelline glands that are immediately posterior to this organ, whereas in the new species the vitelline glands are situated far from the acetabulum. *Gorgoderina carioca* and *G. diaster* also differ from the new species in having testes immediately posterior to vitelline glands, while in *G. tarascae* testes are located far posterior from the vitelline glands and ovary. *Gorgoderina tarascae* additionally differs from *G. multilobata* in the position of the ovary, which is posterior to the vitelline glands in that species, and position of seminal vesicle, being anterior to the acetabulum in that species.

Discussion

Members of the genus *Rana* in Mexico belong to three groups: “*pipiens*”, “*palmipes*” and “*tarahumare*” (sensu Hillis and Wilcox, 2005). Species of *Gorgoderina* have been recorded in Mexico only in the two first groups: *G. attenuata* in both groups, *G. skarvilovitschi* only in the “*pipiens*” group, and *G. parvicava* in the “*palmipes*” group (see Table 1). The other 3 species known from Mexico, *G. megalorchis*, *G. rhyacosiredonis*, and *G. festoni* have been found as parasites of other amphibian groups (Mata-López et al., 2005; Mata-López and León-Règagnon, 2005). *Gorgoderina attenuata* is the most widely distributed species of this genus in Mexico, and there are also records of this species in *Ambystoma* and *Leptodactylus* (Lamothe et al., 1997; Goldberg and Bursey, 2002).

Although the “*tarahumare*” group is represented by 4 species in Mexico, namely *R. zweifeli*, *R. psilonota* Webb, *R. pustulosa* Boulenger and *R. tarahumare* Boulenger, there are no records of *Gorgoderina* parasitizing them. According to Hillis and Wilcox (2005), *R. zweifeli* and *R. pustulosa* may be the only remaining species of this group with relatively widespread and healthy populations in Mexico. However, *Gorgoderina tarascae* n. sp. has not been found in other localities in Mexico where *R. zweifeli* has been registered, despite our collecting efforts. It is possible that the distribution of *G. tarascae* n. sp. is limited by the combination of historical geographic events in the

region and the distribution of intermediate host(s), rather than the distribution of its definitive host species.

On the other hand, the morphology of *G. tarascae* is a mixture of features characterizing other North American species of this genus, which might indicate a close relationship with species distributed in the Nearctic region, in other groups of frogs. These might suggest colonization to *R. zweifeli*, and a subsequent speciation event in the new host. Future parasitological examination of frogs, particularly of those species belonging to the *R. tarahumare* group, in the central plateau and Northern Mexico, as well as phylogenetic analyses of *Gorgoderina* species may provide some answers to these interesting questions.

Acknowledgments

I am grateful to María Antonieta Arizmendi, Lorena Garrido, María de la Luz Romero, Hugo Mejía, Gerardo Pérez-Ponce de León, Rodolfo Pérez and Omar Domínguez for their help both in the field and in the laboratory. I express special thanks to Virginia León-Règagnon for revising a preliminary draft of the manuscript. I also thank Luis García-Prieto (CNHE), Dely Noronha de Bragança and Luis C. Muñiz (CHIOC), Scott Gardner (HWML), Donald McAlpine (NBM), and Eric Hoberg and Pat Pilitt (USNPC) for the loan of specimens and Berenit Mendoza Garfias for her help in SEM. This study was funded in the form of a scholarship to RML by the Consejo Nacional de Ciencia y Tecnología (CONACyT) and Dirección General de Estudios Profesionales (DGEP) Universidad Nacional Autónoma de México (UNAM), Mexico, and by Projects CONACyT (27996N), PAPIIT-UNAM (IN205501) to Gerardo Pérez Ponce de León and NSF grant DEB-0102383 to Virginia León Règagnon.

Literature cited

- Bakke, T. A. and D. Hoole. 1988. The microtopography and papillar arrangement on adult *Gorgoderina vitelliloba* (Olsson) (Digenea, Gorgoderidae) from amphibians in relation to fish gorgoderids. *Zoologica Scripta* 17: 223-230.
- Bravo, M. 1943. Estudio sistemático de los trematodos parásitos de los "ajolotes" de México. *Anales del Instituto de Biología, Universidad Nacional Autónoma de México, Serie Zoología* 14: 141-159.
- Bravo, M. 1948. Descripción de dos especies de trematodos parásitos de *Bufo marinus* L. procedentes de Tuxtepec, Oaxaca. *Anales del Instituto de Biología, Universidad Nacional Autónoma de México, Serie Zoología* 19: 153-161.
- Caballero y C., E. 1942. Tremátodos de las ranas de la Ciénaga de Lerma, Estado de México. IV. *Anales del Instituto de Biología, Universidad Nacional Autónoma de México, serie Zoología* 13: 635-640.
- Flores-Villela, O. 1993. Annotated list of the species de amphibians and reptiles of Mexico, recent taxonomic changes, and new species. Special Publication No. 17. Carnegie Museum of Natural History. 73 p.
- García-Altamirano, I., G. Pérez-Ponce de León, and L. García-Prieto. 1993. Contribución al conocimiento de la comunidad de helmintos de dos especies de anfibios endémicos del lago de Pátzcuaro, Michoacán: *Rana dunni* y *Ambystoma dumerili*. *Cuadernos Mexicanos de Zoología* 1: 73-80.
- Goldberg, S. R. and C. R. Bursey. 2002. Helminth parasites of seven anuran species from Northwestern Mexico. *Western North American Naturalist* 62: 160-169.
- Goldberg, S. R., C. R. Bursey, G. Salgado-Maldonado, R. Báez and C. Cañeda. 2002. Helminth parasites of six species of anurans from Los Tuxtlas and Catemaco Lake, Veracruz, Mexico. *Southwestern Naturalist* 47: 293-229.
- Guillén-Hernández, S., G. Salgado-Maldonado and R. Lamothe-Argumedo. 2000. Digeneans (Plathelminthes: Trematoda) of seven sympatric species of anurans from Los Tuxtlas, Veracruz, Mexico. *Studies on Neotropical Fauna and Environment* 35: 10-13.
- Hillis, D. M. and T. P. Wilcox. 2005. Phylogeny of the New World true frogs (*Rana*). *Molecular Phylogenetics and Evolution* 34: 299-314.
- InfoNatura: Birds, mammals, and amphibians of Latin America [web application]. 2004. Version 4.1 . Arlington, Virginia (USA): Nature Serve. Available: <http://www.natureserve.org/infonatura>. (Accessed: July 22, 2005).
- Lamothe, A. R., L. García P., D. Osorio S. and G. Pérez-Ponce de León. 1997. Catálogo de la Colección Nacional de Helmintos del IBUNAM. Instituto de Biología-CONABIO.
- Mata-López, R., L. García-Prieto and V. León-Règagnon. 2002. Infracomunidades de helmintos parásitos de *Ambystoma lermaensis* (Caudata: Ambystomatidae) en Lerma, México. *Revista de Biología Tropical* 50: 303-307.
- Mata-López, R. and V. León-Règagnon. 2005. *Gorgoderina festoni* n. sp. (Digenea: Gorgoderidae) in anurans (Amphibia) from México. *Systematic Parasitology* 62: 185-190.
- Mata-López, R., V. León-Règagnon and D. R. Brooks. 2005. Species of *Gorgoderina* (Digenea: Gorgoderidae)

- in *Rana vaillanti* and *Rana cf. forreri* (Anura: Ranidae) from Guanacaste, Costa Rica, including a description of a new species. *Journal of Parasitology* 91: 403-410.
- Paredes-Calderón, L., V. León-Règagnon and L. García-Prieto. 2004. Helminth infracommunities of *Rana vaillanti* Brocchi (Anura: Ranidae) in Los Tuxtlas, Veracruz, Mexico. *Journal of Parasitology* 90: 692-696.
- Pérez-Ponce de León, G., V. León-Règagnon, L. García-Prieto, U. Razo-Mendivil and A. Sánchez-Álvarez, A. 2000. Digenean fauna of amphibians from central Mexico: nearctic and neotropical influences. *Comparative Parasitology* 67: 92-106.
- Pigulevsky, S. W. 1953. Family Gorgoderidae Looss, 1901. (Subfamilies Phyllodistomatinae Pigulevsky, 1952 and Plesiochorinae Pigulevsky, 1952). Part Two. In: Skrjabin K. I. (Ed) *Trematodes of animals and man* 8: 251-618.
- Pulido, F. G. 1994. Helminths of *Rana dunnii* especie endémica del Lago de Pátzcuaro, Michoacán, México. *Anales del Instituto de Biología, Universidad Nacional Autónoma de México, Serie Zoología* 65: 205-207.
- Sokoloff, D. and C. E. Caballero. 1933. Primera contribución al conocimiento de los parásitos de *Rana montezumae*. *Anales del Instituto de Biología, Universidad Nacional Autónoma de México, Serie Zoología* 4: 15-21.